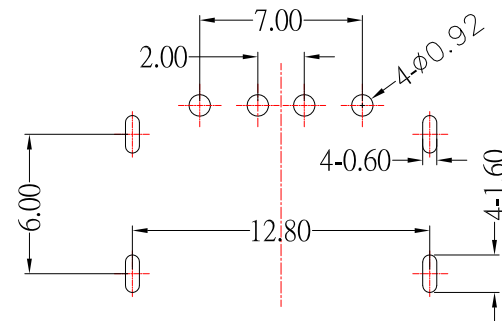
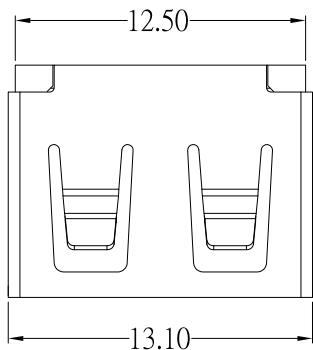




SUA-110H21Ax-x-S236

SHELL :	COLOR :
Blank : BRASS	Black: B
I : SPCC	White : W



P.C.B LAYOUT MOUNTING PATTERN

SPECIFICATIONS

Electrical:

- Contact Resistance: 30 mΩ Max
- Dielectric Withstanding Voltage: 500 V AC / 1 minute
- Insulation Resistance: 1,000 MΩ Min

Mechanical:

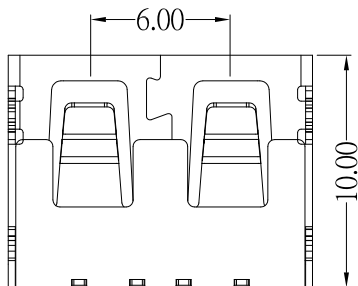
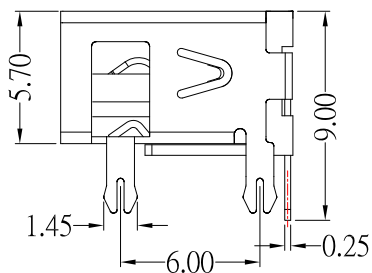
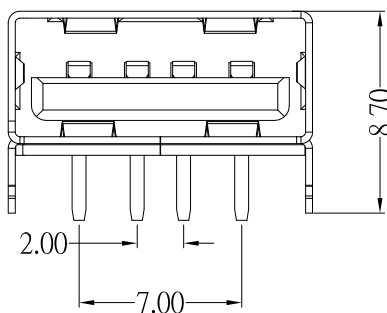
- Connector Mate and Unmate Force
 - Mate force: 35 N (Max)
 - Unmate force: 10N (Min)

Material:

- Housing: PBT
- Contact: Copper Alloy
- Shell: Brass / Spcc

Finish:

- Contact: Plated Gold in Mating Area ;
Tin Plated on Solder Balls ;
Nickel under plated overall
- Shell: Nickel under Plated surface layer



TOLERANCE UNLESS OTHERWISE STATED :

Up to 5	±0.2
Above 5 ~ 15	±0.3
Above 15 ~ 30	±0.4
Above 30 ~ 50	±0.5
Angle	±0.3°

3RD. ANGEL'S



UNITS MM

DRAWN BY:	DATE	MAT'L	TITLE	CONNECTOR
Jack Lu	06/24/20			
CHECKED BY:	DATE	FINISH	MODLE	USB AF 短體 10.0 無捲邊 4腳 反向
Jacky Chen	06/24/20			
APPROVED BY:	DATE	SCALE	DWG NO.	SUA-110H21Ax-x-S236
Tony Kao	06/24/20	1 : 1	PART NO.	SUA-110H21Ax-x-S236
		SHEET NO.	1 of 1	

ITEM NO.	DESCRIPTION	DRAWN	DATE